
Wireless 3-Phase Current Meter with 3 x 150A Clamp-On CT

**Wireless 3-Phase Current Meter
with 3 x 150A Clamp-On CT
R718N315 Data Sheet**

Wireless Sensor Network Based on LoRa Technology



R718N315

Copyright©Netvox Technology Co., Ltd.

This document contains proprietary technical information which is the property of NETVOX Technology. It shall be maintained in strict confidence and shall not be disclosed to other parties, in whole or in part, without written permission of NETVOX Technology.

The specifications are subject to change without prior notice.

Wireless 3-Phase Current Meter with 3 x 150A Clamp-On CT

General Description

The Netvox wireless three-phase current detector is used to detect three-phase electrical input current. The device is compatible with the LoRaWAN protocol, and integrates a chip module that conforms to the LoRaWAN wireless protocol, and joins the gateway to display the collected data in the gateway.

The device is powered by a battery and receives AC current through a current transformer. This device adopts clamp-on current transformer, which can be easily connected to the device to be tested.

Working Principle

This device is connected to a current transformer. The current transformer is an instrument that converts the primary side large current into a secondary side small current according to the principle of electromagnetic induction, and the primary side large current is isolated from the secondary side small current. This device is to monitor the secondary side small current and is powered by batteries to ensure the safety of the users.

Example Applications

- Smart current detection equipment in the city such as home or business
- Smart city
- Thermal system equipment

Features of NETVOX Sensors

- LoRaWAN™ Class A compatible
- Frequency Hopping Spread Spectrum (FHSS)
- Protection level: IP30
- Improved power management for longer battery life
- Encrypt-RF™ Security (Diffie-Hellman Key Exchange + AES-128 CBC for sensor data messages)
- Battery Life*2:

Please refer to web: http://www.netvox.com.tw/electric/electric_calc.html

At this website, users can find battery life time for various models at different configurations.

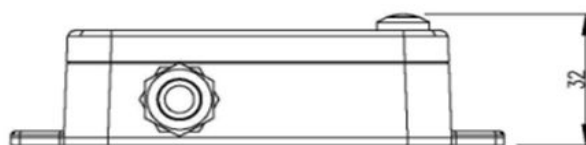
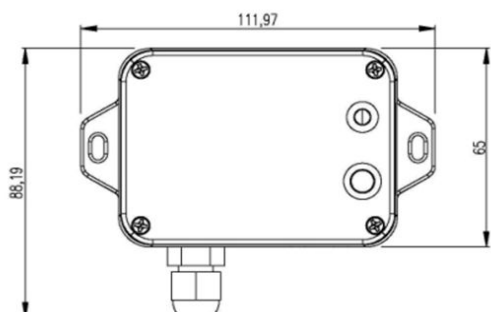
- Over-the-air updates (future)
- Third-Party online wireless sensor monitoring and notification system to configure sensors, view data and set alerts via SMS text and email (optional)
- Available third-party platform: Actility/ThingPark, TTN, MyDevices/Cayenne
- R718X series carry magnets which can be attached to ferromagnetic materials and objects

*1. Actual range may vary depending on environment.

*2. Battery life is determined by sensor reporting frequency and other variables

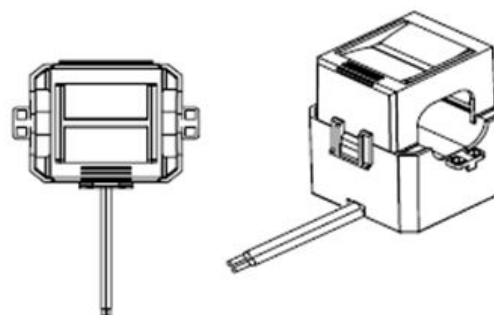
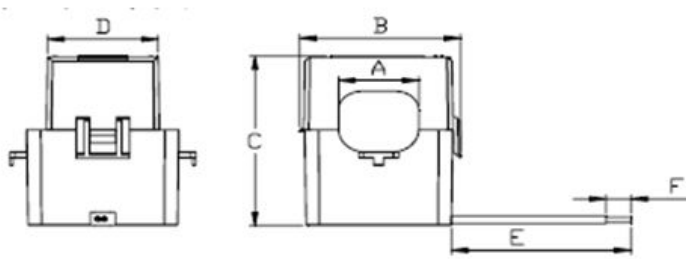
Wireless 3-Phase Current Meter with 3 x 150A Clamp-On CT

Technical Specifications (Main Part)



(Uni. mm)

Current Transformer Appearance and Dimension Drawing



A	B	C	D	E	F
16±0.5	33±0.5	43.5±0.5	22.8±0.3	900±30	6±1

(Uni. mm)

1. Main part size: L: 112x W: 88.19 x H: 32mm
2. External current transformer size: H:43.5*L:33*W:28.5mm

Electric

Input Power	2 x 3.6V ER14505 AA lithium batteries (3.6V, 2400mah/section)
Sleeping Current	25uA
Wake up Current	7mA
Receiving Current (max)	11mA @3.3V
Transmitting Current (max)	127mA @3.3V
Battery Voltage Measurement Accuracy	±0.1V
Current Measurement Accuracy	<+-1%
Resolution	1mA
Current measurement Accuracy Range	1A to 150A (depending on the current transformer configuration)

* Specific electrical characteristics may vary depending on the power supply voltage.

Wireless 3-Phase Current Meter with 3 x 150A Clamp-On CT

Frequency

TX Power	19dBm±1dBm
Rx Sensitivity	-136dBm (LoRa, Spreading Factor=12, Bit Rate=293bps) -121dBm (FSK,Frequency deviation=5kHz, Bit Rate=1.2kbps)
Antenna Type	Build-in antenna
Communication Range	Up to10 km, the actual transmission distance depends on the environment.
Data Transfer Rate	0.3kbps~50kbps
Spread Technique	LoRa/FSK
Available Frequency	EU863-870, US902-928, AU915-928, KR920-923, AS923, CN470-510 Configured before shipment

Current Transformer

Rated Input Current	100A, 50Hz~60Hz
Rated Output Current	33.33mA
Saturation Current	≥150A
Ratio	3000:1
Load Resistance	10 Ω
Linearity	1% (1A-150A)
Isolation Withstand Voltage	3000V
Housing Material	Flame Retardant Grade 94-V0 UL Material
Environmentally Friendly	In line with ROHS
Working Temperature	-40° C~+85° C

Wireless 3-Phase Current Meter with 3 x 150A Clamp-On CT

Physical

Dimension	Main Part: L: 112x W: 88.19 x H: 32mm Sensor Size: H:43.5*L:33*W:28.5mm
Weight	141g
Sensor Weight	70.1*3 (g)
Sensor Cable Length	900mm
Environment Temperature Range	-20°C ~ 55°C
Environment Humidity Range	<90% RH (No condensation)
Storage Temperature	-40°C ~ 85°C
Mount	Screw / Magnet

Contact:**NETVOX TECHNOLOGY CO., LTD.**

TEL: 886-6-2617641

FAX: 886-6-2656120

E-mail: sales@netvox.com.tw

WEB: www.netvox.com.tw

NETVOX TECHNOLOGY CO., LTD (XIAMEN)

TEL: 86-592-5717188

FAX: 86-592-5717180

E-mail: dyx@netvox.com.cn

WEB: www.netvox.com.cn